

SSPS-PSD

Piezoresistive silicon pressure sensor with interface



PRODUCTS FEATURES

- RS485 communication interface, HART communication Protocol is optional
Wide temperature compensation
- Digital display
- Support for networking applications
- The use of digital compensation and nonlinear correction technology
- High sensitivity, high precision
- No moving parts, reliable performance
- To provide a low in the high-pressure rich pressure range
- Excellent site interchangeability, can be customized according to customer requirements

SSPS-PSD

Piezoresistive silicon pressure sensor with interface

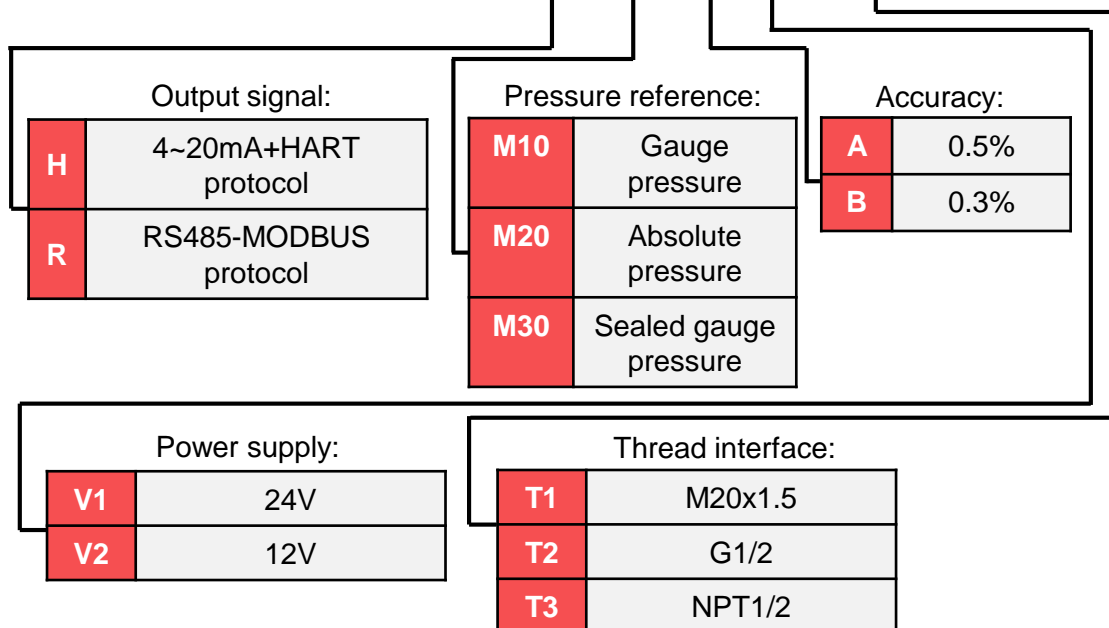
1. Product model code table

Example:

Series Piezoresistive silicon pressure with interface:

SSPS-PSD

SSPS-PSD"CODE" H M10 A V1 - T1



CODE	Scale range	CODE	Scale range	CODE	Scale range
R1	0~10kPa/0.01MPa	R8	0~400kPa/0.4MPa	R15	0~16MPa
R2	0~20kPa/0.02MPa	R9	0~600kPa/0.6MPa	R16	0~25MPa
R3	0~35kPa/0.035MPa	R10	0~1.0MPa	R17	0~40MPa
R4	0~70kPa/0.07MPa	R11	0~1.6MPa	R18	0~60MPa
R5	0~100kPa/0.1MPa	R12	0~2.5MPa	R19	0~100MPa
R6	0~160kPa/0.16MPa	R13	0~6MPa	Please according to the product range selected	
R7	0~250kPa/0.25MPa	R14	0~10MPa		

SSPS-PSD

Piezoresistive silicon pressure sensor with interface

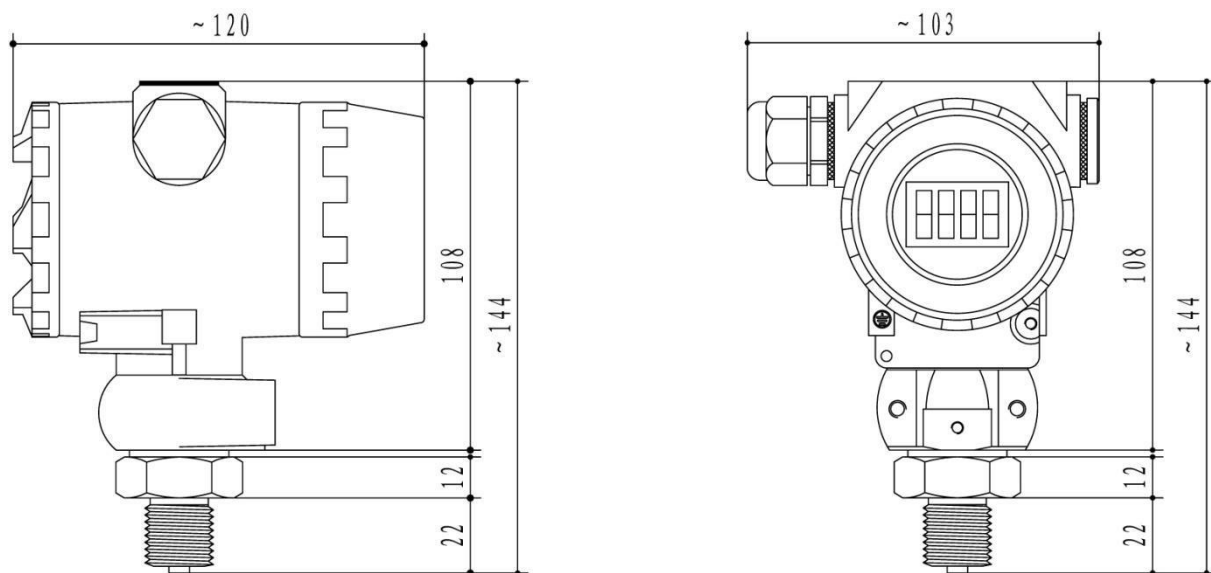
2. Performance parameters

Pressure range	-100kPa...0~20kPa...100MPa
Pressure reference	Gauge pressure, Absolute pressure, Sealed gauge pressure
Excitation	12V or 24V
Output signal	4~20mA+HART Protocol RS485-MODBUS Protocol
Operating temperature	-20°C~85°C
Storage temperature	-40°C~125°C
Zero temperature	±0.5%FS
Sensitivity temperature	±0.5%FS
Overload pressure	150%FS
Mechanical vibration	20g (20~5000Hz)
Impact	100g (10ms)
Integrated precision	0.3 or 0.5 level optional
Insulating	100MΩ/250VDC
Response time	≤1ms (rise to 90%FS)
Long-term stability	±0.2%FS/year
Protection class	IP65
Material	Housing low-copper aluminum alloy; isolating diaphragm 316L
Media compatible	With 316L stainless steel is compatible with a variety of media

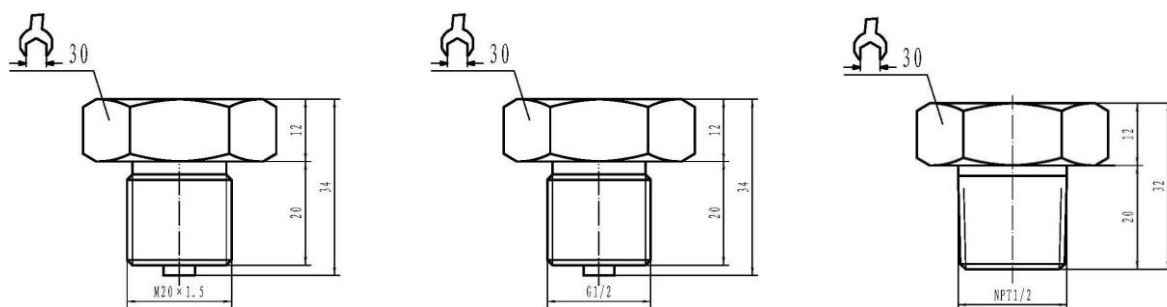
SSPS-PSD

Piezoresistive silicon pressure sensor with interface

3. Shape structure



Thread interface:



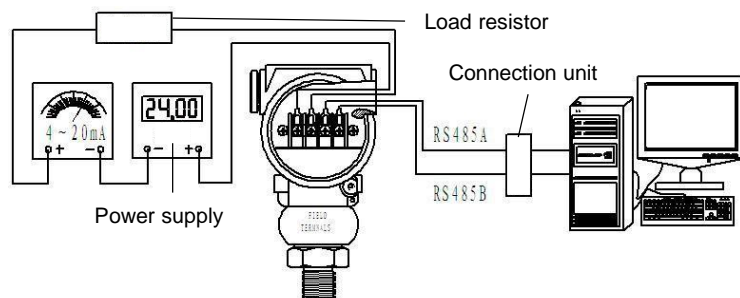
All dimension in mm

SSPS-PSD

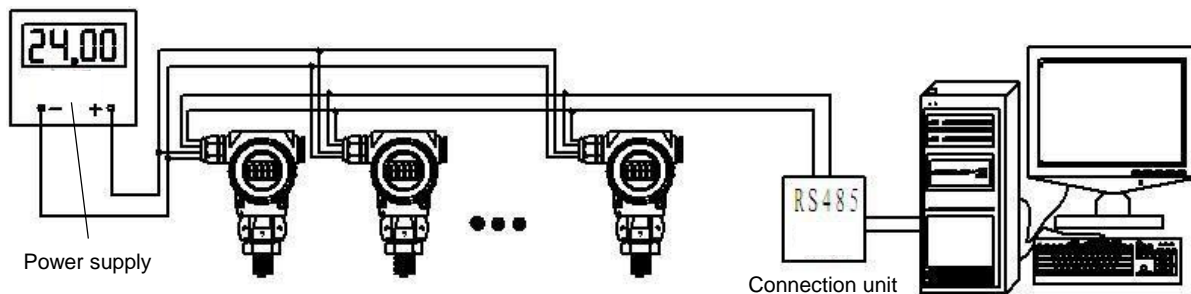
Piezoresistive silicon pressure sensor with interface

4. Wiring

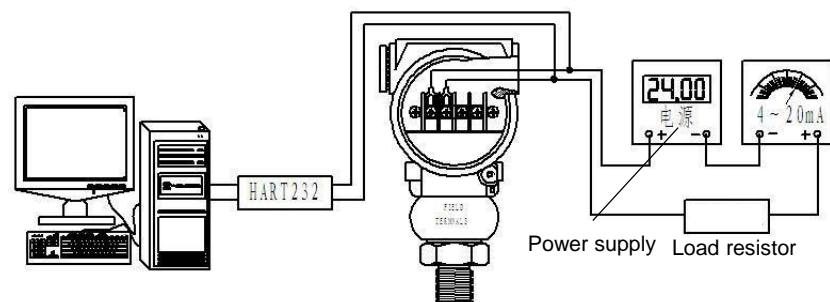
4.1 RS485 interface-type transmitter for RS485 communication electrical connection method:



4.2 Transmitter RS485 interface network application diagram:



4.3 HART Protocol transmitter configuration system connection method:



4.4 HART Protocol transmitter and the Communicator connection method:

