

SSL-MM20

Magnetostrictive float level sensor



PRODUCTS FEATURES

- Linear measurement
- Absolute output
- Non-contact measurement (no wear)
- Robust and reliable industrial displacement transducer, EMC shielded and CE certified
- Linear accuracy up to 0.02% F.S
- Repeatability accuracy up to 0.001% F.S
- Multiple signal outputs: potentiometer, 0-5V, 0-10V 4-20mA, analog
- Synchronous serial output (SSI) for analog/digital conversion
- Measuring stroke: 50-3000mm

SSL-MM20

Magnetostrictive float level sensor

1. Technical specification

Table 1. Specification

Specifications	Technique data
Stroke length	0~50...100...200...300...1000...3000mm
Resolution	5 um
Nonlinearity	<±0.02%F.S
Repeatability	<±0.001%F.S
Update time	>1kHz
Fluctuation	<±0.01%F.S
Output signal	4~20mA, 0~5V, 0~10V, Profibus, Modbus, CANOpen, SSI
Operating voltage	24VDC
Current consumption	50-140mA
Electric shock	500V
Operating temperature	-40~75°C
Vibration proof	20g(5... 2000 Hz)
Strike proof	100g
Magnet speed	Any
Endurance pressure	35MPa/70MPa
Material	Sensor head : 304 stainless steel and aluminum; Sensor rod : 316 stainless steel
Electrical connection	6 pin DIN male connector, direct line out
IP protection	IP67

SSL-MM20

Magnetostrictive float level sensor

2. Mechanical dimension

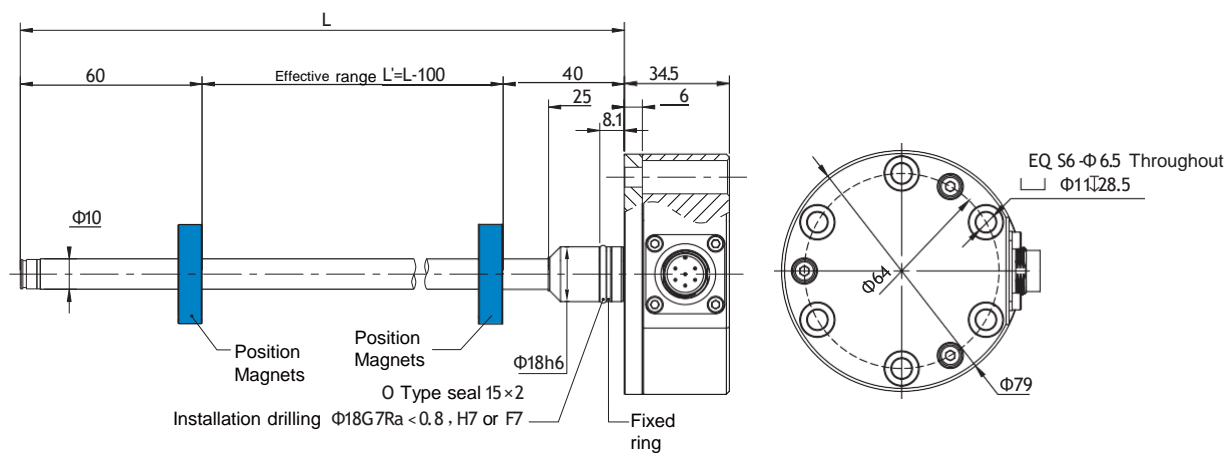


Figure 2.1. Mechanical dimensions

SSL-MM20

Magnetostrictive float level sensor

3. Ordering code

