

SSU-WPM40S12-P2

Ultrasonic sensor



PRODUCTS FEATURES

- The small size, light weight
- High sensitivity and high sound pressure
- Low power consumption
- High reliability
- Dual use: Transmitter and Receiver

SSU-WPM40S12-P2

Ultrasonic sensor

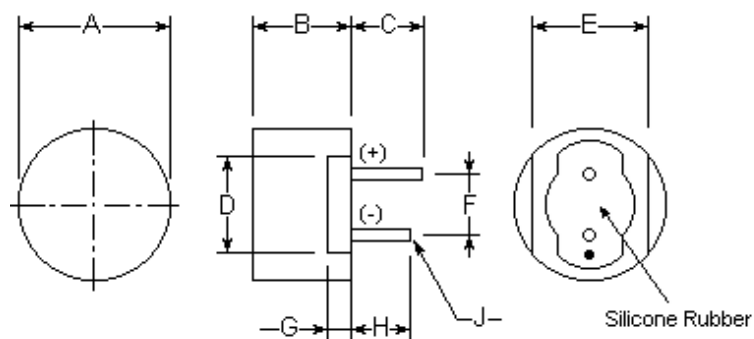
1. Technical Specifications

Parameters	Value	Units
Operating frequency	40±1.0	KHz
Sound pressure value	100 min	dB
Sensitivity	-74 min	dB
Aftershock	1.8 max	ms
Direction angle (-6dB)	70±15	°
Detection range	0.2~1.5	m
Resolution	10	mm
Capacitance	1800±20	%PF
Max. Input Voltage	150 (40KHz)	Vp-p
Operating Temperature	-40~+80	°C
Storage Temperature	-35~+85	°C
Terminations	Vertical transmit/receive connector	
Housing material	Aluminum housing	

SSU-WPM40S12-P2

Ultrasonic sensor

2. Mechanical dimensions



Name	Value	Unit
A	$\text{Ø}12.0\pm0.5$	mm
B	8.0 ± 0.5	
C	9.0 ± 0.5	
D	7.0 ± 0.5	
E	10.5 ± 0.5	
F	5.0 ± 0.5	
G	3.0 ± 0.5	
H	7.0 ± 0.5	
J	$\text{Ø}0.5\pm0.1$	

SSU-WPM40S12-P2

Ultrasonic sensor

3. Precautions for use

1. Please avoid through the connection of the isolation capacitors, or some other method, the applied DC bias voltage, otherwise it will cause damage to components.

2. Since these sensors have potential direction, so be sure to pay attention to its installation location.

3. To ensure reliability and long using life, please do not higher than the rated temperature of the place using the sensor.

4. Not in a vacuum zone or explosion-proof zone using the sensor.

5. Do not in the Steam zone using the sensor, this region of the atmosphere uneven produce a temperature gradient will lead to measurement error.

6. The product may not be used or stored in corrosive gases, especially where chloride gas, sulfide gas, acid, alkali, salt or the class The likelihood exists. In the warehouse to store the products to pay attention to the normal temperature and humidity, and avoid direct sunlight.

7. If applied, such as non-standard frequency and other special conditions, please inform the company you need the specific work conditions, the circuit, etc., in order to We designed and manufactured to meet your specific usage requirements of sensor products