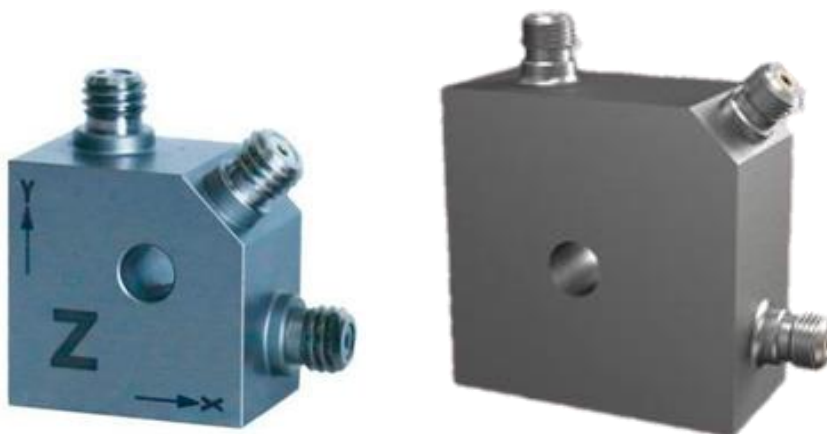


# SSA-P83AH

3 axis PE accelerometer



### PRODUCTS FEATURES

- Three-axis charge output sensor for general vibration testing
- The whole series uses memory alloy fasteners, shear structure, stable and reliable
- Standard model, series, multiple ranges are optional
- Through-hole installation side M5x3 connector output
- Standard insulation installation components

## 1. Technical parameter SSA-P83AHA

Table 1. Technical characteristics SSA-P83AHA

Parameter		Condition	Unit
Sensitivity		300	pC/g
Measurement range		±200	g
Resonant frequency		>6	kHz
Frequency range	± 5 %	0.5-1k	Hz
	± 10 %	0.3-1.5k	Hz
Lateral sensitivity		<5	%FS
Base strain		0.0008	g/ε
Impact limit		500	gpk
Maximum vibration		300	grms
Sensitivity temperature coefficient		0,06	%/°C
Operating temperature		-50 ~250	°C
Dust and water protection		IP68	
Core capacitor		3500	pF
Insulation resistance		>1 x 10 <sup>11</sup>	Ohm
Sensitive components		PZ27 piezoelectric ceramics	
Body material		Titanium alloy	
Output connector		M5 x 3	
Mounting thread		5.1 through hole/M5	
Recommended installation torque		3.0	N m

**2. Technical parameter SSA-P83AHB**
*Table 2. Technical characteristics SSA-P83AHB*

Parameter		Condition	Unit
Sensitivity		10	pC/g
Measurement range		±1500	g
Resonant frequency		>30	kHz
Frequency range	± 5 %	0.5-8k	Hz
	± 10 %	0.3-9k	Hz
Lateral sensitivity		<5	%FS
Base strain		0.0008	g/ε
Impact limit		6000	gpk
Maximum vibration		4000	grms
Sensitivity temperature coefficient		0,06	%/°C
Operating temperature		-50 ~250	°C
Dust and water protection		IP68	
Core capacitor		360	pF
Insulation resistance		>1 x 10 <sup>11</sup>	Ohm
Sensitive components		PZ27 piezoelectric ceramics	
Body material		Titanium alloy	
Output connector		M5 x 3	
Mounting thread		5.1 hole / M5	
Recommended installation torque		1.6	N m

**3. Technical parameter SSA-P83AHC**
*Table 3. Technical characteristics SSA-P83AHC*

Parameter		Condition	Unit
Sensitivity		30	pC/g
Measurement range		±1000	g
Resonant frequency		>20	kHz
Frequency range	± 5 %	0.5-5k	Hz
	± 10 %	0.3-6k	Hz
Lateral sensitivity		<5	%FS
Base strain		0.005	g/ε
Impact limit		5000	gpk
Maximum vibration		3000	grms
Sensitivity temperature coefficient		0,06	%/°C
Operating temperature		-50 ~250	°C
Dust and water protection		IP68	
Core capacitor		1700	pF
Insulation resistance		>1 x 10 <sup>11</sup>	Ohm
Sensitive components		PZ27 piezoelectric ceramics	
Body material		Titanium alloy	
Output connector		M5 x 3	
Mounting thread		5.1 hole / M5	
Recommended installation torque		3.0	N m

4. Mechanical Dimensions

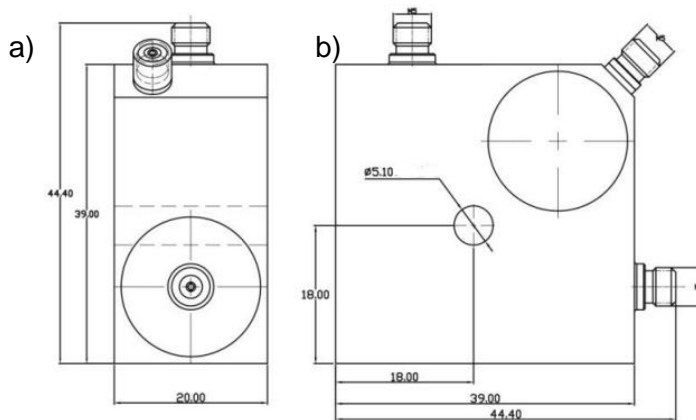


Figure 1. Model A: a) front view b) side view

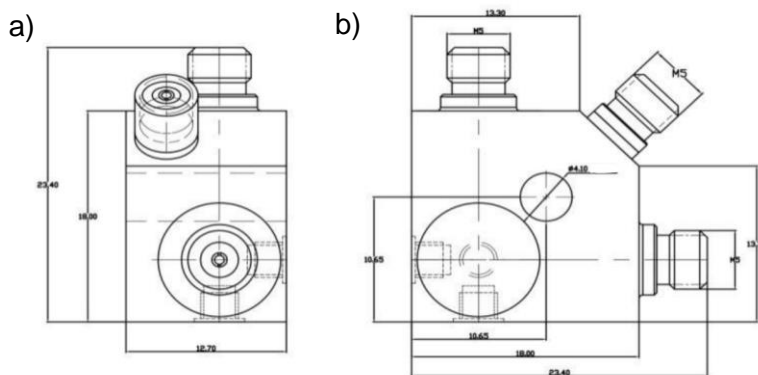


Figure 2. Model B: a) front view b) side view

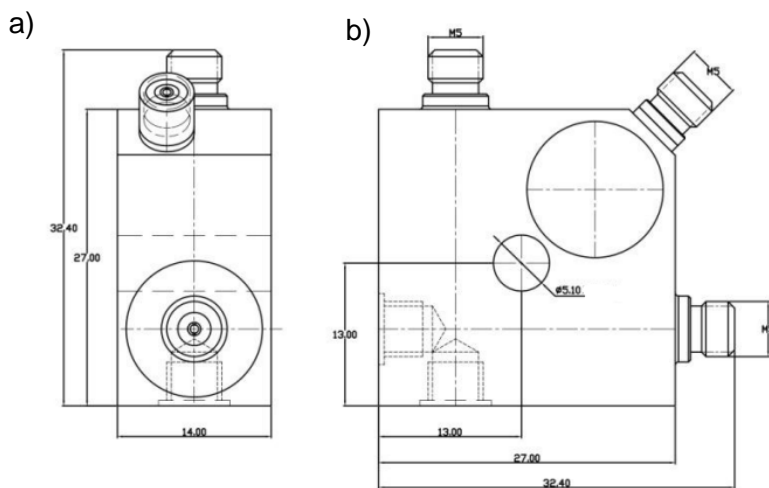
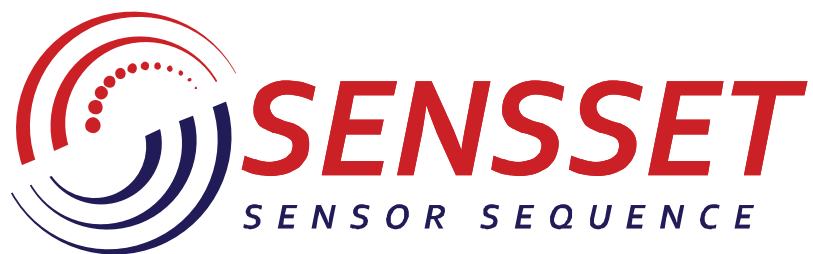


Figure 3. Model C: a) front view b) side view



[www.sensset.ru](http://www.sensset.ru)

8 (812) 309-58-32 доб. 150  
info@sensset.ru

198099, г. Санкт-Петербург  
ул. Калинина, дом 2, корпус 4, литера А.



Development, production and supply of high-tech sensors