

SSP-CAXXX-XXXX

Proximity capacitive sensor



PRODUCTS FEATURES

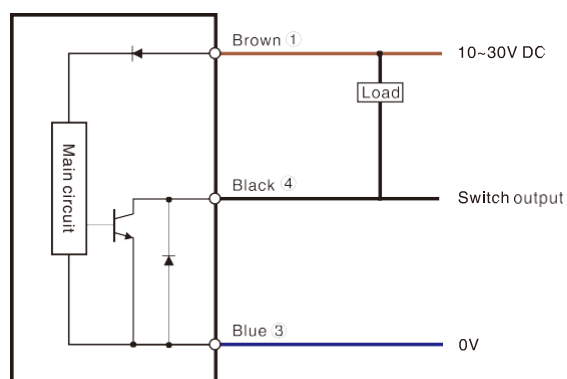
- Capacitive, M12/M18/M30
- Shielded/Non-shielded
- Sensing distance 1~30mm adjustable
- PNP,NPN / NO,NC,NO+NC

SSP-CAXXX-XXXX

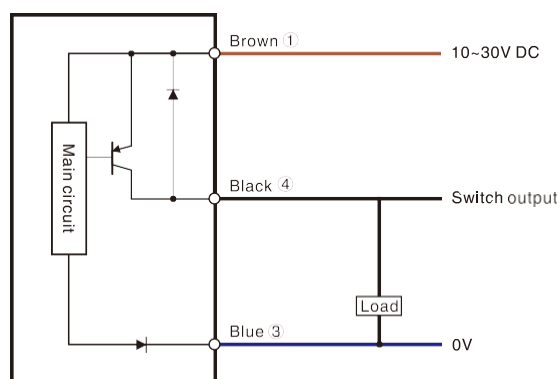
Proximity capacitive sensor

1. Circuit diagram

NPN Output



PNP Output



SSP-CAXXX-XXXX

Proximity capacitive sensor

2. Technical parameters

Table 2.1 - standards and technical data

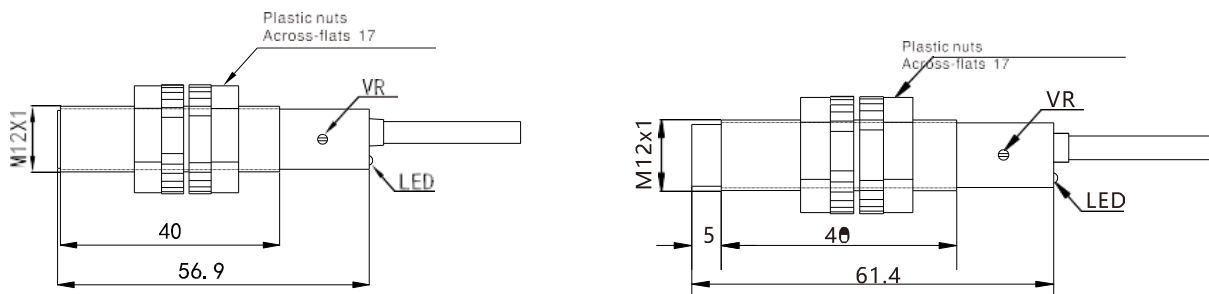
Mounting	Shielded			Unshielded		
Housing size	M12	M18	M30	M12	M18	M30
Sensing distance	1~3mm	2~8m m	2~20 mm	1~6mm	2~15mm	2~30mm
Housing material	PBT					
Operating voltage	10~30VDC (Ripple < 10%)					
Voltage drop	< 2V					
Load current. Max	150mA	300mA		150mA	300mA	
Current consumption	< 10mA					
Leakage current	< 0.01 mA					
Switch frequency	100Hz					
Repeat accuracy	< 5% (Sr)					
Hysteresis	< 15% (Sr)					
Sensing surface material	PBT					
Operating temperature	-25°C~+75°C					
Protective circuit	Short circuit					
Degree of protection	IP67					

SSP-CAXXX-XXXX

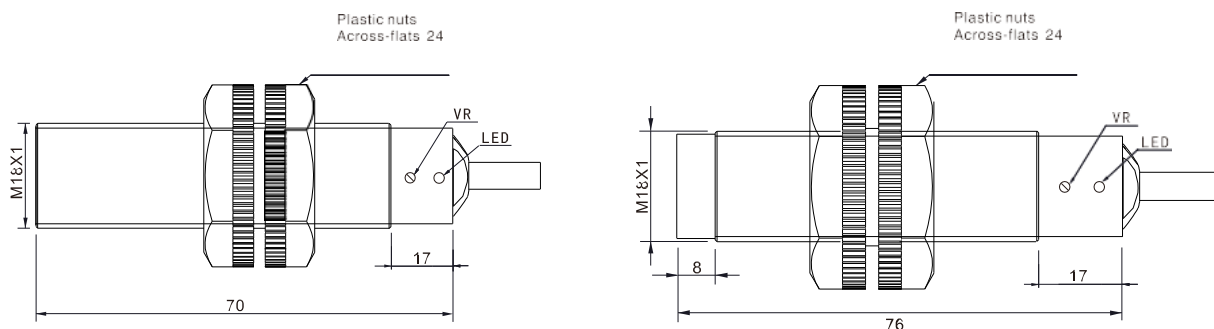
Proximity capacitive sensor

2. Mechanical dimension

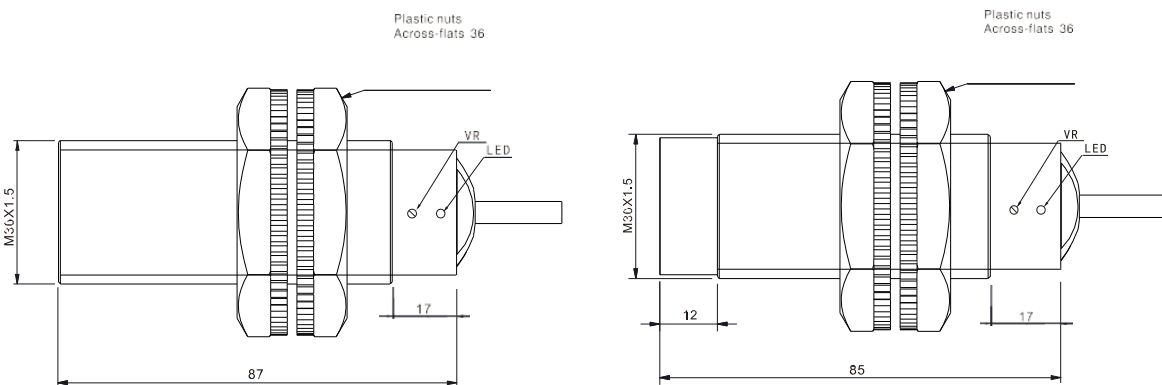
Housing size – M12 with sensing distance 3/6 mm



Housing size – M18 with sensing distance 8/15 mm



Housing size – M30 with sensing distance 20/30 mm



SSP-CAXXX-XXXX

Proximity capacitive sensor

3. Ordering information

