

SSV-HM100

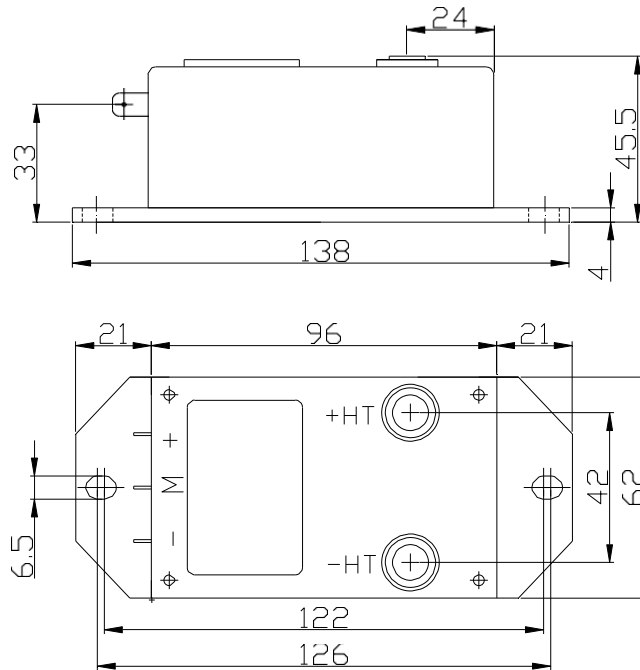
Closed-loop Hall voltage sensor: rated current of 10mA RMS, Hall magnetic compensation works, can be isolated measuring AC, DC, impulse voltage and small current.



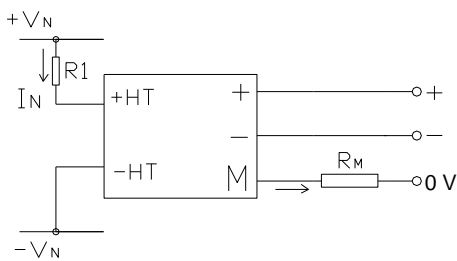
Performance parameters:

Sym.	Parameters	Value	
IN	Rated Current (RMS)	10mA (RMS)	
IP	Measuring range Ip-p	0~±20mA	
KN	Turns ratio	10000:2000	
RM	Measuring resistance	R _M min	R _M max
	V _C =±12~15V	0Ω (at 10mA or 20mA)	150Ω;50Ω
IM	Output current	The output rating is 50mA, and the corresponding primary side rated current 10mA	
X	Accuracy (T _a =+25°C)	I _N =±0.5%	
V _C	Power supply voltage	±12...15V (±5%)	
V _i	Insulation voltage	In the primary side and the secondary side circuit between: 6KV RMS/50Hz/1 min	
I _{off}	Offset current T _a =+25°C	When the primary voltage I _N =0, the maximum value: ±0.3mA	
T _d	Temperature drift T _a =-25°C~+70°C	I _M 0.03%/°C	
L	Linearity	0.1%	
T _r	Reaction time	20...100μs	
f	Frequency range	0...50k	
T _a	Operating temperature	-25°C~+70°C	
T _s	Storage temperature	-40°C~+85°C	
I _c	Power consumption	10mA + I _M (measuring current)	
R _s	Secondary side resistance	60Ω	
	The primary-side internal resistance	1.8kΩ+R1	
W	Weight	360g	

Mechanical dimensions (mm):



Circuit connection diagram:



Sym.	Description
+HT	Positive input
-HT	Negative input
+	Positive power supply (+12~15V)
-	Negative power supply (-12~15V)
M terminal	Output terminal