

# SSL-MM10

## Magnetostrictive float level sensor



### PRODUCTS FEATURES

- Robust stainless steel fully sealed structure
- Absolute position output
- Non-contact measurement, permanent wear-proof
- Low consumption design ensure low temperature drift of system

# SSL-MM10

## Magnetostrictive float level sensor

### 1. Technical specification

Table 1. Specification

Parameter	Value
Range	50-6000mm
Output	0~20mA(min./max. load:0/500Ω) 4~20mA(min./max. load:0/500Ω) ±10V (min.load>5kΩ) 0~5V (min. load>5kΩ) 0~10V (min. load>5kΩ)
Input	24V DC (-15/ +20%)
Current	<60mA (vary according to different range)
Pole protection	Max. -30 VDC
Overpressure protection	Max. 36 VDC
Insulation	500V (Between ground and housing)
Resolution	16 bit D/A
Nonlinearity error	<±0.05%F.S (Min. ±80um)
Repeatability accuracy	<±0.02%F.S (Min. ±2.5um)
Refresh interval	0.5ms (Range < 0.5m) 1.0ms(0.5m<Range<1m) 2.0ms(1m<Range<2m) 3.0ms(1m<Range<2m)
Probe/ flange material	304L stainless steel
Operating Temp. range	-40~+75°C
Operating humidity/ condensation	90%/ No condensation
Temperature coefficient	±0.007%F.S/ °C
Ingress protection	IP67
Pressure endurance	35Mpa (continuous)/ 70Mpa (peak)
Installation	Screw installation. M18x1.5 or customized size.
Connector	Water proof or six-pin aviation plug

# SSL-MM10

Magnetostrictive float level sensor

## 2. Wiring information

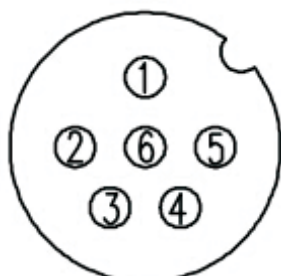


Figure 2.1. Pin number

Table 2. Pin definition

Pin No.	Wire color	Content
1	Yellow	0-20mA, 4-20mA, $\pm 10V$ , 0-10V, 0-5V
2	White	Sig. ground
3		No connection
4		No connection
5	Red	+24VDC power supply (-15/ +20%)
6	Black	Power supply ground (0VDC)

# SSL-MM10

## Magnetostrictive float level sensor

### 3.Mechanical dimension

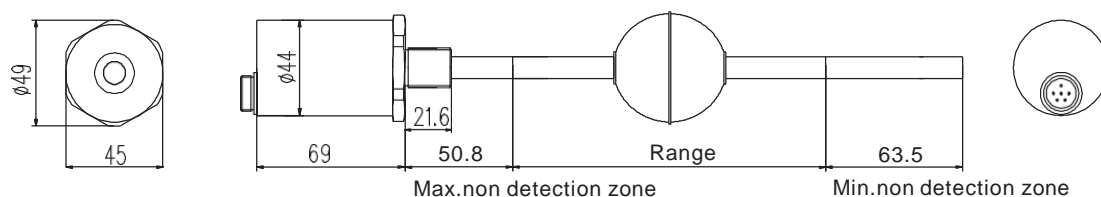


Figure 3.1. Dimension with six-pin aviation plug

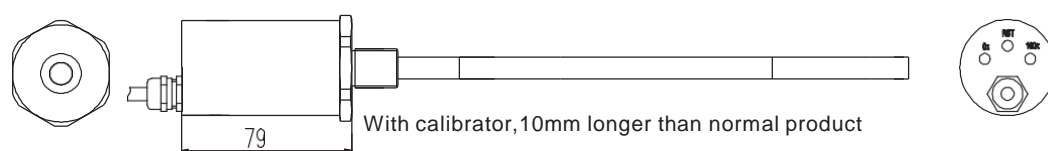


Figure 3.2. Dimension with PG7 waterproof connector with calibrator

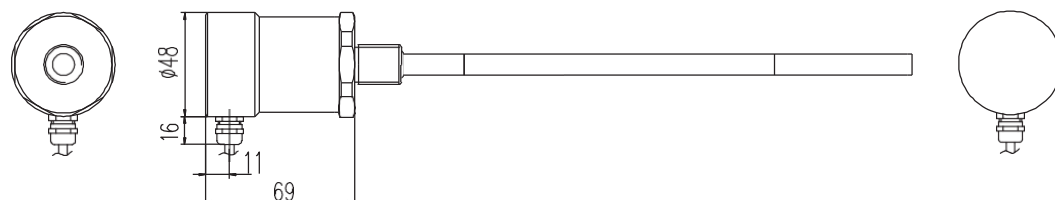


Figure 3.3. Dimension with PG7 waterproof connector with side cable port

: The product is suitable for long time usage of water and corrosion applications. Customized NDZ could be 40mm at top and 45mm at bottom.

# SSL-MM10

## Magnetostrictive float level sensor

### 4. Application

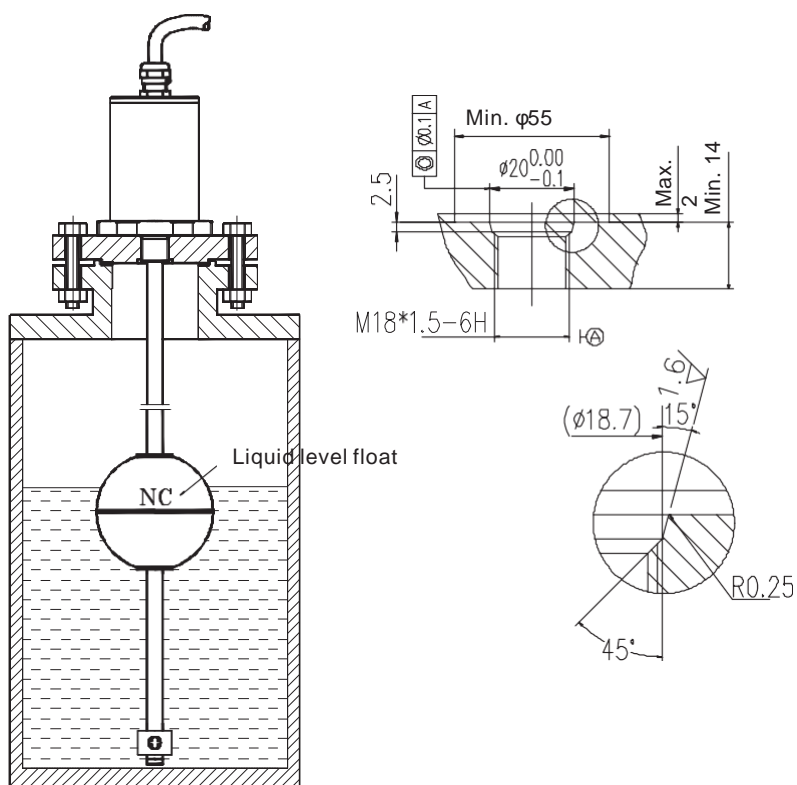


Figure 4.1. Typical application

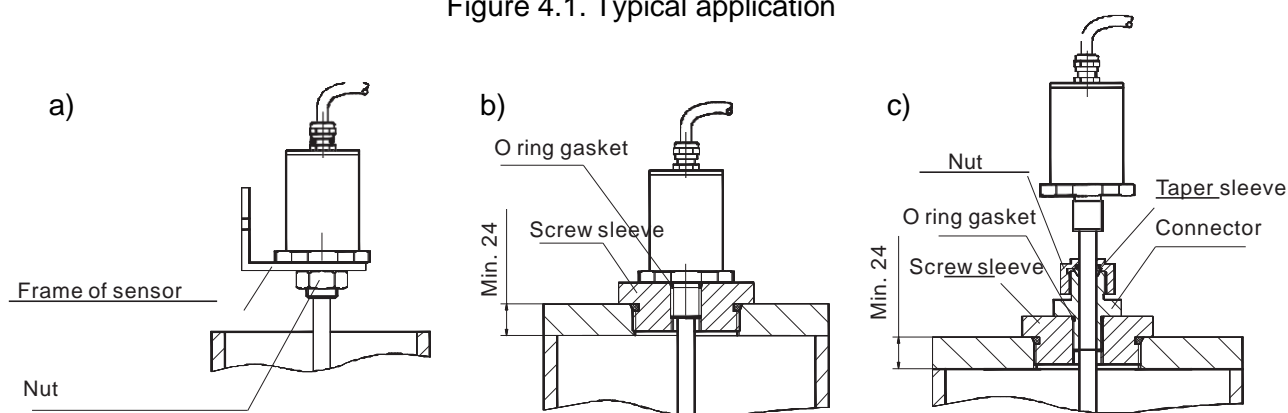


Figure 4.2. a) Installation 2 (take accessory K-1) b) Installation 3 (take accessory K-2)  
c) Installation 4 (take accessory K-3)

# SSL-MM10

Magnetostrictive float level sensor

## 5. Ordering code

SSL – MM10 1 1 2 A C W F1

